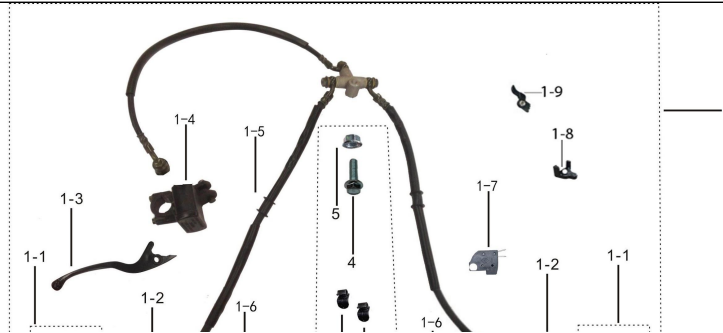
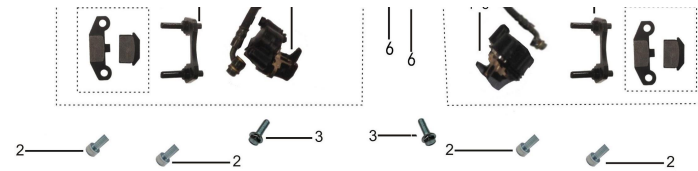


方向把组件

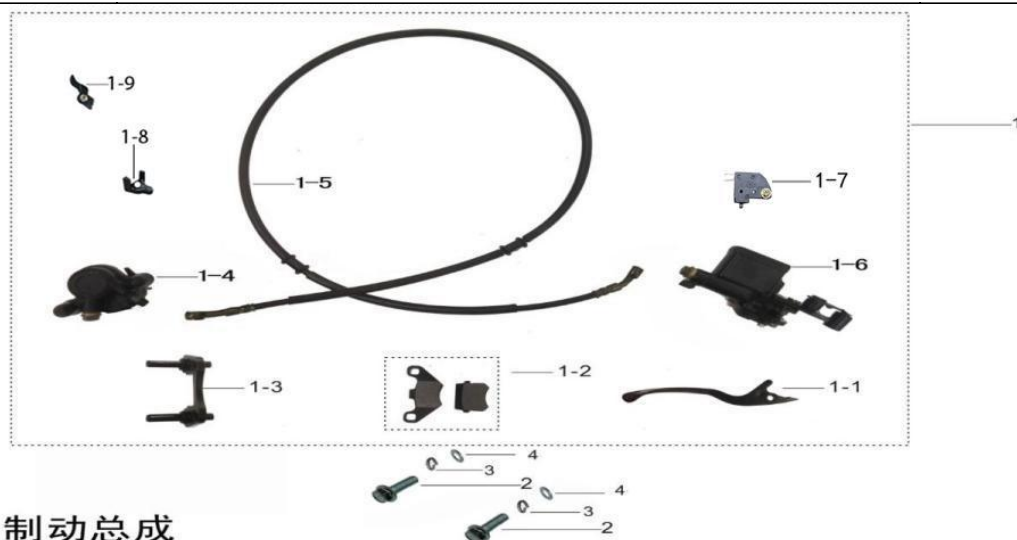
No.	U8 Code	Model	EN name	Qty/vehicle
1	602006-0026	AU110	grip	2
2	313001-0008	AU110	Multi-functional switch	1
3	602001-0019	AU110	handlebar	1
4	602015-0003	AU110	chock cable	1
5	313003-0011-02	AU110	stop switch	1
6	602014-0036	AU110	throttle cable	1
7	602011-0008-02	AU110	accelerator	1
8	906003-0002	AU110	plastic Cable Ties	2
9	903004-0009	AU110	split washer $\Phi 2.5*6*0.3$	1
10	903020-0025	AU110	screw M4*20	1





前制动总成

No.	U8 Code	Model	EN name	Qty/vehicle
1	404000-0161	AU110	front brake assy 'L=460+440*2	1
1	404000-0161-02	AU110	front brake assy 'L=460+440*2(1.1.24~)	1
1-1	404007-0011	AU110	front brake pad	2
1-2	404008-0011	AU110	front brake bracket	2
1-3	404002-0016	AU110	brake lever	1
1-4	404003-0007	AU110	Front brake upper cylinder	1
1-5	404005-0020	AU110	Front brake oil pipe L=460+440*2	1
1-6	404006-0008	AU110	Front brake lower cylinder	1
1-7	404011-0014	AU110	front brake switch	1
1-7	404011-0022	AU110	front brake switch(1.1.24~)	1
1-8	404011-0009	AU110	front brake lock tab/bracket	1
1-9	404011-0010	AU110	front park lock kit	1
2	903019-0012-02	AU110	flange bolt M8*16	4
2	903019-0012-03	AU110	flange bolt M8*16(1.1.24~)	4
3	903018-0003-02	AU110	flange bolt M6*12	2
3	903018-0003-03	AU110	flange bolt M6*12(1.1.24~)	2
4	903018-0011	AU110	flange bolt M8*35	1
4	903018-0011-02	AU110	flange bolt M8*35(1.1.24~)	1
5	903007-0004-02	AU110	nut M8	1
5	903007-0005	AU110	nut M8 90309-KV8-8400(1.1.24~)	1
6	405010-0002	AU110	rear brake oil pipe clamp	2



后制动总成

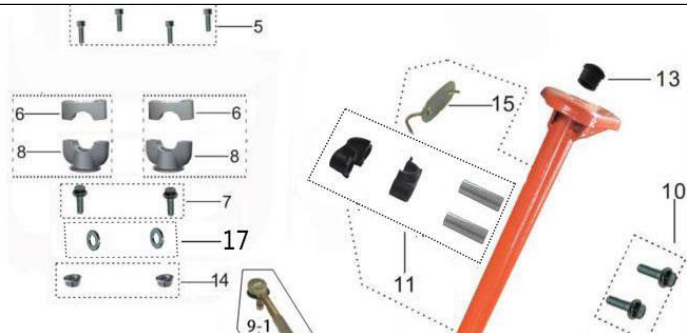
No.	U8 Code	Model	EN name	Qty/vehicle
1	405000-0110	AU110	rear brake assy.'L=1400	1
1	405000-0110-02	AU110	rear brake assy.'L=1400 (1.1.24~)	1
1-1	404002-0015	AU110	brake lever	1
1-2	405008-0007	AU110	rear brake pad	1
1-3	405009-0019	AU110	rear brake bracket	1
1-4	405007-0014	AU110	rear brake lower cylinder	1
1-5	405006-0016	AU110	front brake oil pipe assy. L=1400mm	1
1-6	405004-0011	AU110	rear brake upper cylinder	1
1-7	405012-0009	AU110	rear brake switch	1
1-7	404011-0022	AU110	rear brake switch(1.1.24~)	1
1-8	405012-0008	AU110	rear brake lock tab/bracket	1
1-9	405012-0005	AU110	rear park lock kit	1
2	903019-0014-02	AU110	flange bolt M8*25	2
2	903019-0014-03	AU110	flange bolt M8*25(1.1.24~)	2
3	903001-0003	AU110	spring washer $\Phi 8 \times 13 \times 2$	2

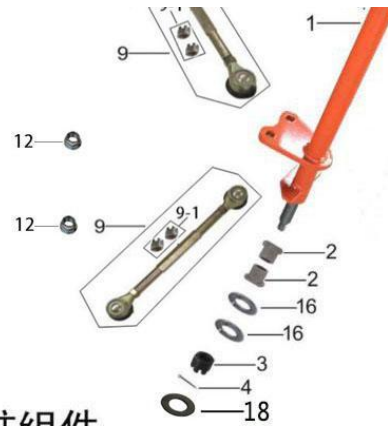
3	903001-0003-02	AU110	spring washer $\Phi 8*13*2(1.1.24\sim)$	2
4	903002-0004-02	AU110	flat washer $\Phi 8*16*1.5$	2
4	903002-0004-03	AU110	flat washer $\Phi 8*16*1.5(1.1.24\sim)$	2



前減总成

No.	U8 Code	Model	EN name	Qty/vehicle
1	501000-0094	AU110	front fork L=265 $\Phi 5.5$	2
2	903018-0032	AU110	flange bolt M10*40*1.25	4
2	903018-0032-02	AU110	flange bolt M10*40*1.25(1.1.24~)	4
3	903007-0006	AU110	flange locknut M10*1.25	4
3	903007-0006-02	AU110	flange locknut M10*1.25(1.1.24~)	4

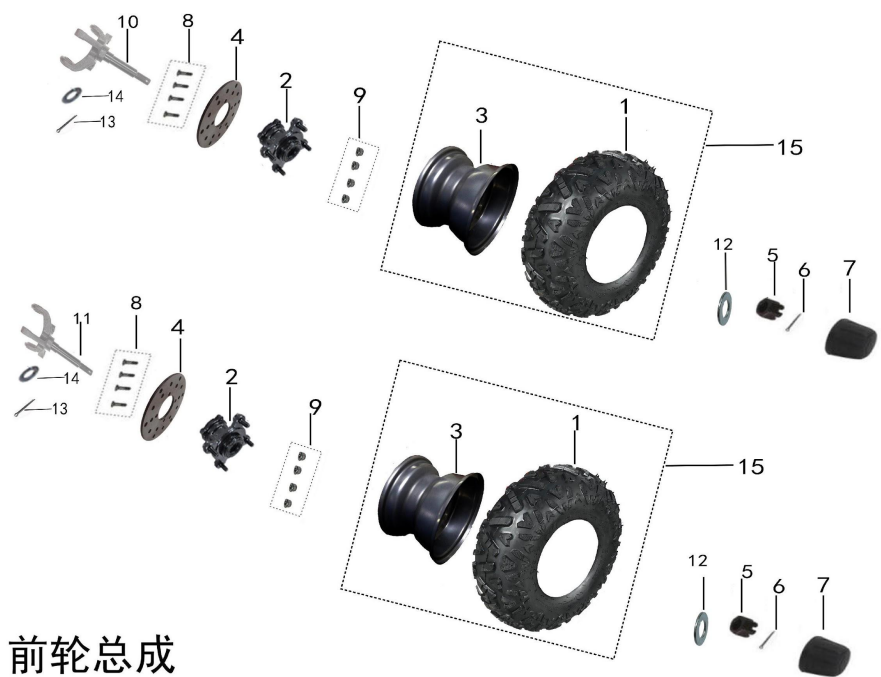




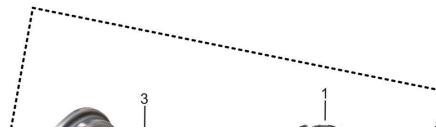
转向柱组件

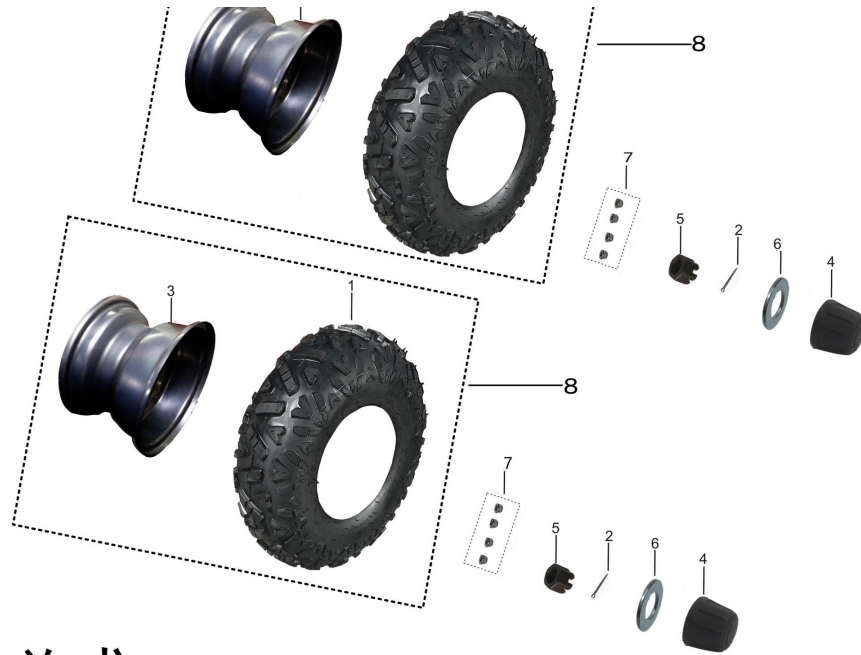
No.	U8 Code	Model	EN name	Qty/vehicle
1	566000-0013-02	AU110	steering column orange L520	1
1	566000-0013-01	AU110	steering column black L523	1
2	902002-0031	AU110	steering busher 'Φ15*29*H20+Φ21+H17	2
3	903008-0009	AU110	slotted nut M10*1.25	1
3	903008-0009-02	AU110	slotted nut M10*1.25(1.1.24~)	1
4	904002-0004-02	AU110	cotter pin 3*20	1
4	904002-0004-03	AU110	cotter pin 3*20(1.1.24~)	1
5	903013-0022-02	AU110	screw M8*35	4
5	903013-0022-03	AU110	screw M8*35(1.1.24~)	4
6	601003-0023	AU110	upper raiser	2
7	903017-0011	AU110	flange bolt M10*30*1.5	2
7	903017-0011-02	AU110	flange bolt M10*30*1.5(1.1.24~)	2
8	601004-0028	AU110	lower raiser	2
9	603001-0006	AU110	steering pull rod comp. L=170 M10*1.25*22+M10*1.25*26	2
9-1	603005-0009	AU110	nut M10*1.25*H9	4
10	903018-0015	AU110	flange bolt M8*55	2
10	903018-0015-03	AU110	flange bolt M8*55(1.1.24~)	2

11	603004-0003	AU110	steering raiser H20.5*39.5	2
12	903007-0006	AU110	flange lock nut M10*1.25	2
12	903007-0006-02	AU110	flange lock nut M10*1.25(1.1.24~)	2
13	908004-0003	AU110	plug $\Phi 10*\Phi 15*14$	1
14	903007-0007	AU110	flange locknut M10*1.5	2
14	903007-0007-03	AU110	flange locknut M10*1.5(1.1.24~)	2
15	568000-0001-02	AU110	cable clip	1
16	903003-0003	AU110	spring washer $\Phi 15*21$	2
17	903001-0005	AU110	spring washer $\Phi 10.5*16*3$	2
17	903001-0005-02	AU110	spring washer $\Phi 10.5*16*3(1.1.24\sim)$	2
18	903002-0008-02	AU110	flat washer $\Phi 10*20*2$	1
18	903002-0008-03	AU110	flat washer $\Phi 10*20*2(1.1.24\sim)$	1



No.	U8 Code	Model	EN name	Qty/vehicle
1	401006-0030	AU110	front tire 'AT19*7.0-8	2
2	401003-0008	AU110	front hub	2
3	401000-0058	AU110	front rim 8*5.5AT-4/88 67	2
4	404001-0014	AU110	front brake disc	2
5	903008-0011	AU110	slotted nut M14*1.5*H18	2
5	903008-0011-02	AU110	slotted nut M14*1.5*H18(1.1.24~)	2
6	904002-0004-02	AU110	cotter pin 3*20	2
6	904002-0004-03	AU110	cotter pin 3*20(1.1.24~)	2
7	401011-0001	AU110	hub cover	2
8	903014-0001	AU110	screw M6*16	8
8	903014-0001-03	AU110	screw M6*16(1.1.24~)	8
9	903007-0004-02	AU110	flange locknut M8	8
9	903007-0005	AU110	flange locknut M8	8
10	603002-0009	AU110	left knuckle	1
11	603002-0010	AU110	right knuckle	1
12	903002-0013-02	AU110	flat washer $\Phi 15*30*2.5$	2
12	903002-0013-03	AU110	flat washer $\Phi 15*30*2.5(1.1.24\sim)$	2
13	904002-0002-02	AU110	cotter pin 2.5*24	2
13	904002-0002-03	AU110	cotter pin 2.5*24(1.1.24~)	2
14	903002-0008-02	AU110	flat washer $\Phi 10*20*2$	2
14	903002-0008-03	AU110	flat washer $\Phi 10*20*2(1.1.24\sim)$	2
15	401012-0007L	AU110	left front wheel assy	1
15	401012-0007R	AU110	right front wheel assy	1

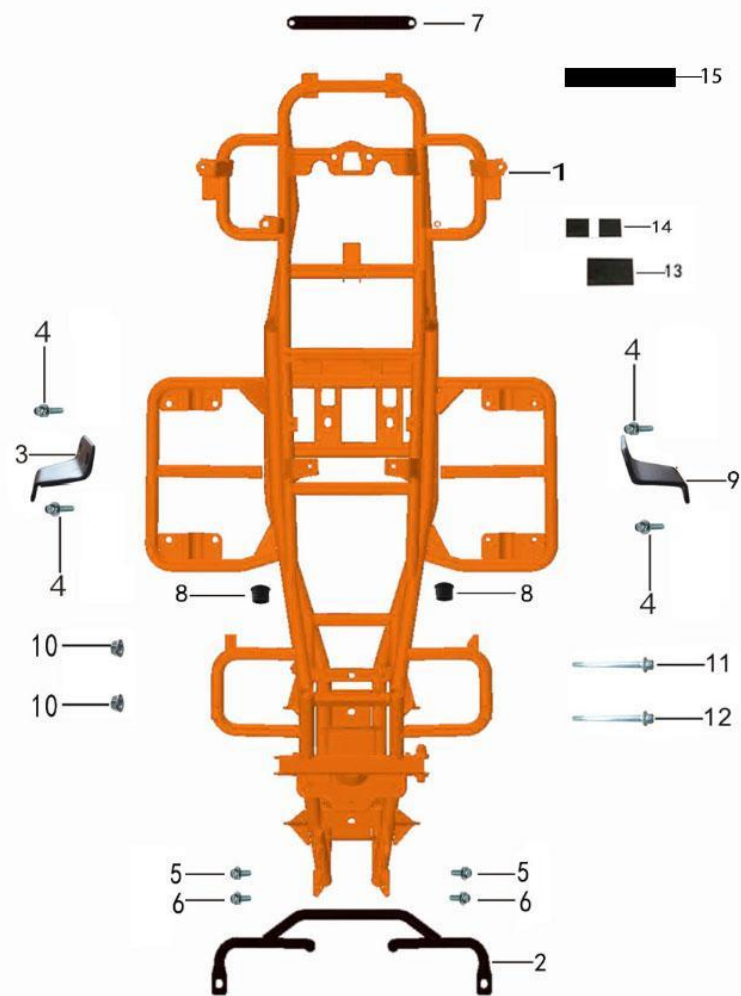




后轮总成

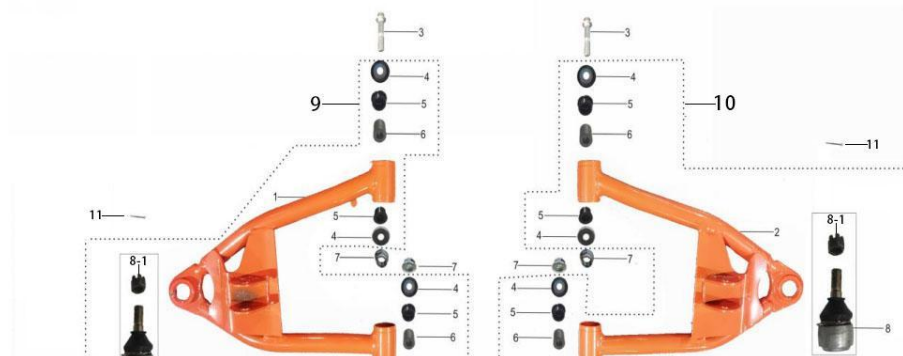
No.	U8 Code	Model	EN name	Qty/vehicle
1	402006-0020	AU110	rear tire AT18*9.5-8	2
2	904002-0006-02	AU110	cotter pin 4*28	2
2	904002-0006-03	AU110	cotter pin 4*28(1.1.24~)	2
3	402000-0064	AU110	rear rim 8*7.0AT-4/110 90	2
4	401011-0001	AU110	hub cover	2
5	903008-0030	AU110	nut M16*1.5*H18	2
5	903008-0030-02	AU110	nut M16*1.5*H18(1.1.24~)	2
6	903002-0014	AU110	flat washer $\Phi 17*48*3$	2
6	903002-0014-02	AU110	flat washer $\Phi 17*48*3(1.1.24\sim)$	2
7	903007-0006	AU110	flange locknut M10*1.25	8
7	903007-0006-02	AU110	flange locknut M10*1.25(1.1.24~)	8

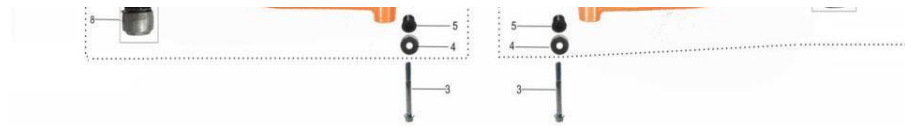
8	402008-0008L	AU110	left rear wheel assy	1
8	402008-0008R	AU110	right rear wheel assy	1



车架总成

No.	U8 Code	Model	EN name	Qty/vehicle
1	561000-0060-01	AU110	frame assy	1
2	704000-0015	AU110	subframe	1
3	568000-0005	AU110	engine right hanger 54*34*42	1
4	903020-0030	AU110	bolt M8*16	4
4	903020-0030-02	AU110	bolt M8*16(1.1.24~)	4
5	903019-0011-02	AU110	bolt M8*12	2
5	903019-0011-03	AU110	bolt M8*12(1.1.24~)	2
6	903019-0012-02	AU110	bolt M8*16	2
6	903019-0012-03	AU110	bolt M8*16(1.1.24~)	2
7	568000-0068	AU110	seat front bracket 188*20*22.5	1
8	908007-0015	AU110	rubber plug $\Phi 14*\Phi 19*17$	2
9	568000-0003	AU110	engine hanger	1
10	903007-0005	AU110	nut M8 90309-KV8-8400	2
11	903018-0023	AU110	bolt M8*110 J390019 top engine mount bolt	1
12	903018-0022	AU110	bolt M8*105 J390017 rear engine mount bolt	1
13	909010-0001	AU110	EVA 30*30	1
14	909010-0008	AU110	EVA 82*65*4	2
15	909010-0011	AU110	EVA 240*25*2mm	1

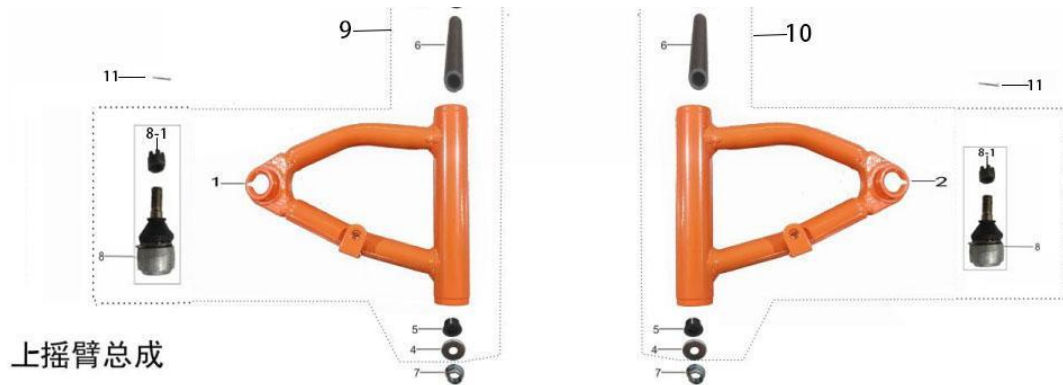




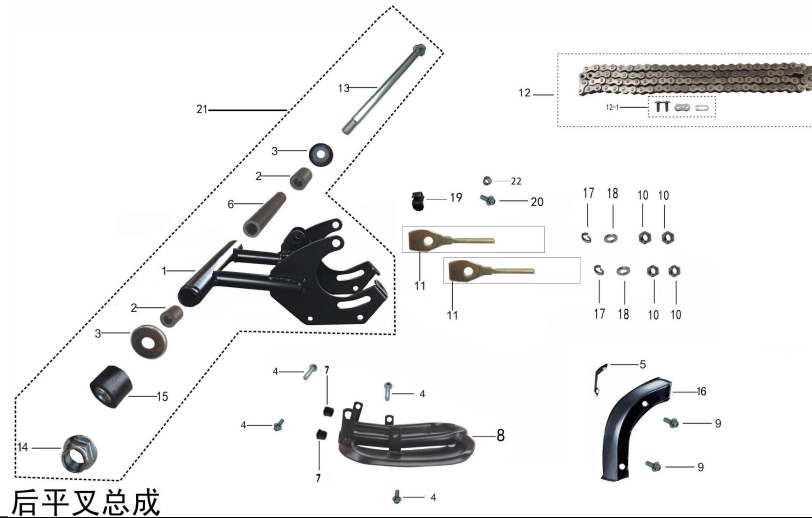
下摇臂总成

No.	U8 Code	Model	EN name	Qty/vehicle
1	565000-0066-01	AU110	right lower rocker arm 257*199*100 orange	1
1	565000-0066-02	AU110	right lower rocker arm 257*199*100 black	1
2	565000-0065-01	AU110	left lower rocker arm 257*199*100 orange	1
2	565000-0065-02	AU110	left lower rocker arm 257*199*100 black	1
3	903018-0035	AU110	flange bolt M10*70*1.25	4
3	903018-0035-02	AU110	flange bolt M10*70*1.25(1.1.24~)	4
4	908007-0006	AU110	sealed cap 'Φ10*35*H8+Φ27.5*6.5	8
5	902002-0029	AU110	plastic bush POM Φ16*27*14+Φ23+H11	8
6	902001-0026	AU110	steel bush 'Φ10.2*16*H46	4
7	903007-0006	AU110	flange locknut M10*1.25	4
7	903007-0006-02	AU110	flange locknut M10*1.25(1.1.24~)	4
8	603003-0011	AU110	ball- joint assy	2
8-1	603005-0009	AU110	nut M10*1.25*H9	2
9	C90004-00700	AU110	right lower rocker arm assy orange	1
9	C90004-0070B	AU110	right lower rocker arm assy black	1
10	C90004-0069O	AU110	left lower rocker arm assy orange	1
10	C90004-0069B	AU110	left lower rocker arm assy black	1
11	904002-0002-02	AU110	cotter pin 2.5*24	2
11	904002-0002-03	AU110	cotter pin 2.5*24(1.1.24~)	2





No.	U8 Code	Model	EN name	Qty/vehicle
1	565000-0064-01	AU110	right upper rocker arm 163*156*57 orange	1
1	565000-0064-02	AU110	right upper rocker arm 163*156*57 black	1
2	565000-0063-01	AU110	left upper rocker arm assy 163*156*57 orange	1
2	565000-0063-02	AU110	left upper rocker arm assy 163*156*57 black	1
3	901001-0005	AU110	flange bolt $\Phi 10*185*M10*1.25mm$	2
4	908007-0006	AU110	sealed cap ' $\Phi 10*35*H8+\Phi 27.5*6.5$	4
5	902002-0038	AU110	plastic bush ' $\Phi 16*27*H23+\Phi 23+H20$	4
6	902001-0040	AU110	steel bush ' $\Phi 10.5*16*H163$	2
7	903007-0006	AU110	flange locknut M10*1.25	2
7	903007-0006-02	AU110	flange locknut M10*1.25(1.1.24~)	2
8	603003-0011	AU110	ball- joint assy	2
8-1	603005-0009	AU110	nut M10*1.25*H9	2
9	C90004-0068O	AU110	right upper rocker arm assy orange	1
9	C90004-0068B	AU110	right upper rocker arm assy black	1
10	C90004-0067O	AU110	left upper rocker arm assy orange	1
10	C90004-0067B	AU110	left upper rocker arm assy black	1
11	904002-0002-02	AU110	cotter pin 2.5*24	2
11	904002-0002-03	AU110	cotter pin 2.5*24(1.1.24~)	2



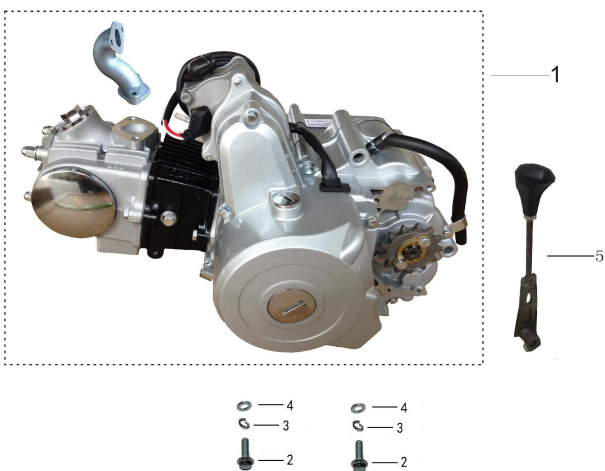
No.	U8 Code	Model	EN name	Qty/vehicle
1	563000-0014-01	AU110	Rear fork 289*200*56	1
1	563000-0030-01	AU110	Rear fork L=289(1.1.24~)	1
2	902001-0053	AU110	spacer bush $\Phi 12.3*24*29$	2
3	908007-0007	AU110	sealed cap ' $\Phi 12*35*H8+\Phi 27.5*6.5$	2
4	903015-0005	AU110	screw M8*16	4
4	903015-0005-02	AU110	screw M8*16(1.1.24~)	4
5	568000-0010	AU110	chain cover plate 57*20	1
6	901003-0007	AU110	inner sleeve $\Phi 12.5*19*L143$	1
7	908004-0002	AU110	plug $\Phi 9*16*H14$	2
8	568000-0004	AU110	chain support assy	1
9	903018-0003-02	AU110	flange bolt M6*12	2
9	903018-0003-03	AU110	flange bolt M6*12(1.1.24~)	2
10	903005-0007-02	AU110	nut M8 94001-08000-0S	4
10	903005-0007-03	AU110	nut M8 94001-08000-0S(1.1.24~)	4
11	203003-0009	AU110	chain adjuster $\Phi 13*M8*85$	2

12	203000-0086	AU110	chain 420H 86L	1
12-1	203001-0002	AU110	chain joint 420H	1
13	901001-0022	AU110	flange axle $\Phi 12*236*M12*1.25mm$	1
14	903007-0008	AU110	flange locknut M12*1.25	1
14	903007-0008-02	AU110	flange locknut M12*1.25(1.1.24~)	1
15	203004-0024	AU110	chain guide bush ' $\Phi 30.5*43*H38$	1
16	203004-0027	AU110	chain cover	1
17	903001-0003	AU110	spring washer $\Phi 8*13*2$	2
17	903001-0003-02	AU110	spring washer $\Phi 8*13*2(1.1.24~)$	2
18	903002-0004-02	AU110	bush $\Phi 8*16*1.5$	2
18	903002-0004-03	AU110	bush $\Phi 8*16*1.5(1.1.24~)$	2
19	405010-0001	AU110	rear brake oil pipe clamp	1
20	903019-0003	AU110	flange bolt M6*16	1
20	903019-0003-02	AU110	flange bolt M6*16(1.1.24~)	1
21	C90004-0086	AU110	swingarm assy	1
22	903007-0002-02	AU110	nut M6	1
22	903007-0002-03	AU110	nut M6(1.1.24~)	1



后减总成

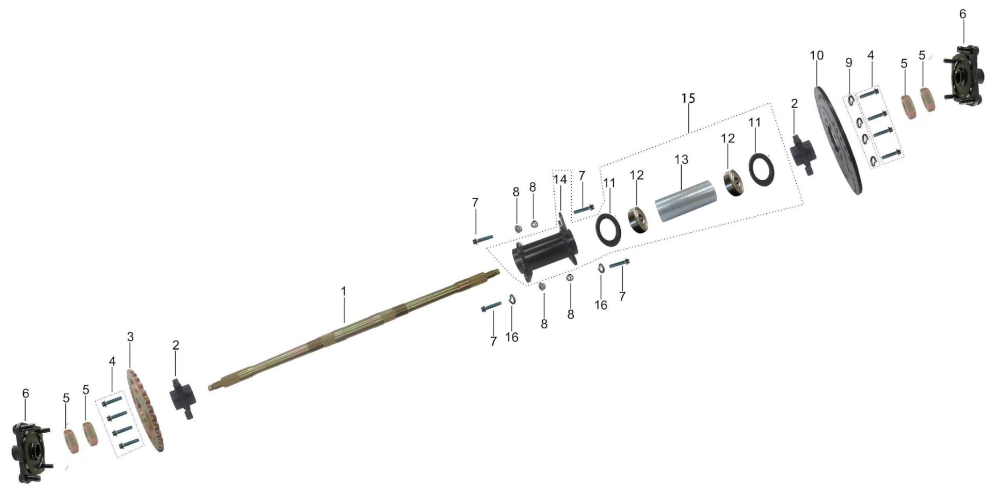
No.	U8 Code	Model	EN name	Qty/vehicle
1	502000-0049	AU110	rear shock L=265	1
2	903018-0032	AU110	flange bolt M10*40*1.25	2
2	903018-0032-02	AU110	flange bolt M10*40*1.25(1.1.24~)	2
3	903007-0006	AU110	flange locknut GB6187-86	2
3	903007-0006-02	AU110	flange locknut GB6187-86(1.1.24~)	2



发动机总成

No.	U8 Code	Model	EN name	Qty/vehicle
1	H01000-0010	AU110	Engine assy	1
2	903019-0013-02	AU110	flange bolt M8*20	2
2	903019-0013-03	AU110	flange bolt M8*20(1.1.24~)	2
3	903001-0003	AU110	spring washer $\Phi 8*13*2$	2
3	903001-0003-02	AU110	spring washer $\Phi 8*13*2$ (1.1.24~)	2
4	903002-0004-02	AU110	flat washer $\Phi 8*16*1.5$	2

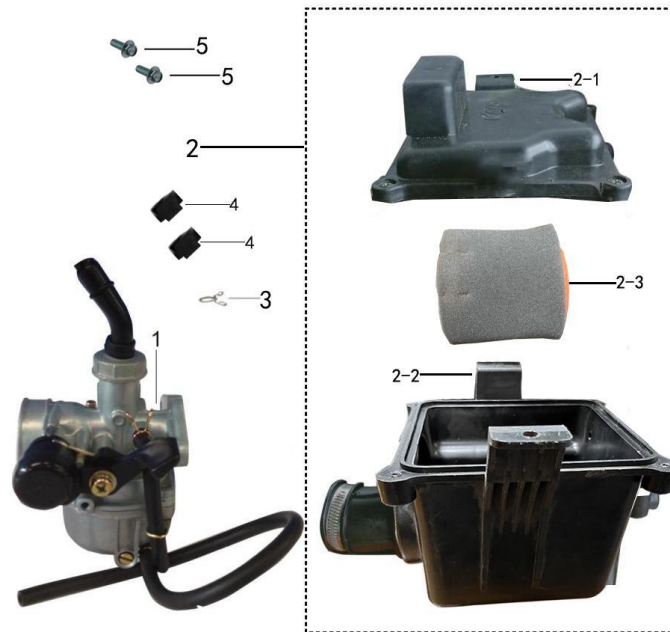
4	903002-0004-03	AU110	flat washer $\Phi 8*16*1.5(1.1.24\sim)$	2
5	201001-0002	AU110	hand-gear shift lever 260*35*30	1



后桥总成

No.	U8 Code	Model	EN name	Qty/vehicle
1	505001-0011	AU110	rear wheel axle L715*M16*1.5	1
2	205003-0004	AU110	chain pulley seat	2
3	205001-0004	AU110	rear sprocket 420/37	1
4	903019-0012-02	AU110	screw M8*16	8
4	903019-0012-03	AU110	screw M8*16(1.1.24~)	8
5	903008-0016	AU110	nut M27*1.5*H10	4
6	402003-0021	AU110	rear hub M10*30*1	2
7	903019-0025	AU110	flange bolt M12*30*1.25	4
7	903019-0025-02	AU110	flange bolt M12*30*1.25(1.1.24~)	4
8	903007-0008	AU110	flange locknut M12*1.25	4
8	903007-0008-02	AU110	flange locknut M12*1.25(1.1.24~)	4
9	903001-0003	AU110	spring washer $\Phi 8$	4

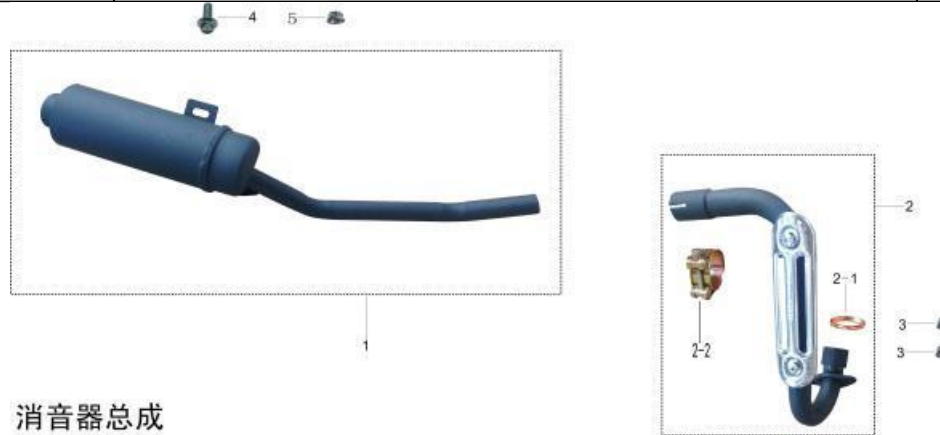
9	903001-0003-02	AU110	spring washer $\Phi 8(1.1.24\sim)$	4
10	405001-0012	AU110	rear brake disc $\Phi 48.4*180$	1
11	908001-0010	AU110	oil seal '55*35*8	2
12	907001-0010	AU110	bearing '6006RS	2
13	901003-0009	AU110	inner sleeve $\Phi 31*35*L88$	1
14	564000-0002	AU110	rear axle	1
15	C90004-0025	AU110	rear axle assy	1
16	903001-0006	AU110	spring washer $\Phi 12*20*3$	2
16	903001-0006-02	AU110	spring washer $\Phi 12*20*3(1.1.24\sim)$	2



化油器组件

No.	U8 Code	Model	EN name	Qty/vehicle
1	102000-0105	AU110	carburetor	1
2	105000-0028-02	AU110	air filter	1

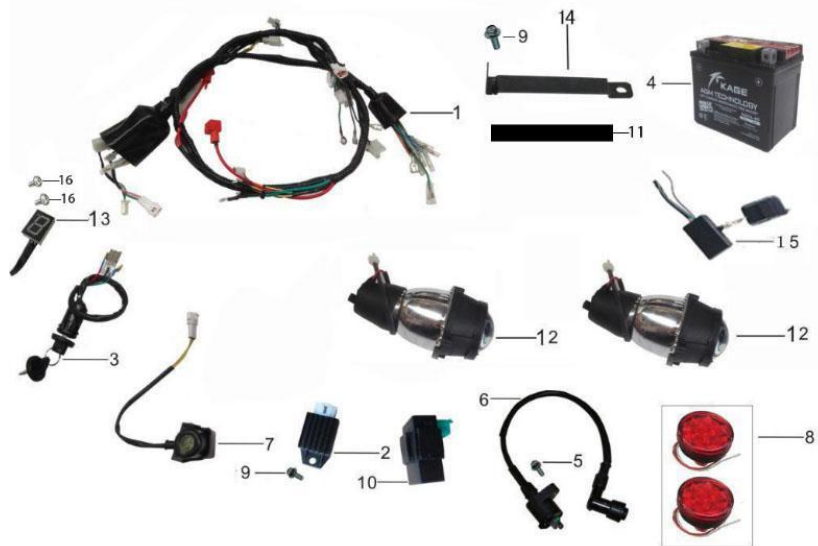
2-1	105001-0009	AU110	top cover	1
2-2	105001-0010	AU110	SHELL	1
2-3	105002-0016	AU110	FILTER ELEMENT	1
3	906002-0009	AU110	pipe clamp $\Phi 12$	1
4	908007-0056	AU110	SCOOP CAP SET 25*25	2
5	903019-0003	AU110	bolt M6*16	2
5	903019-0003-02	AU110	bolt M6*16(1.1.24~)	2



消音器总成

No.	U8 Code	Model	EN name	Qty/vehicle
1	106002-0041	AU110	muffler	1
2	106001-0078	AU110	muffler pipe	1
2	106001-0078-02	AU110	muffler pipe(1.1.24~)	1
2-1	106003-0002	AU110	gasket ' $\Phi 24*33*5.5$	1
2-2	106004-0001	AU110	muffler clamp 36-39	1
2-3	106006-0042	AU110	muffler hoop $\phi 28.05*34.85*35$	1
3	903007-0002-02	AU110	flange locknut M6	2
3	903007-0002-03	AU110	flange locknut M6(1.1.24~)	2
4	903019-0013-02	AU110	flange bolt M8*20	1
4	903019-0013-03	AU110	flange bolt M8*20(1.1.24~)	1

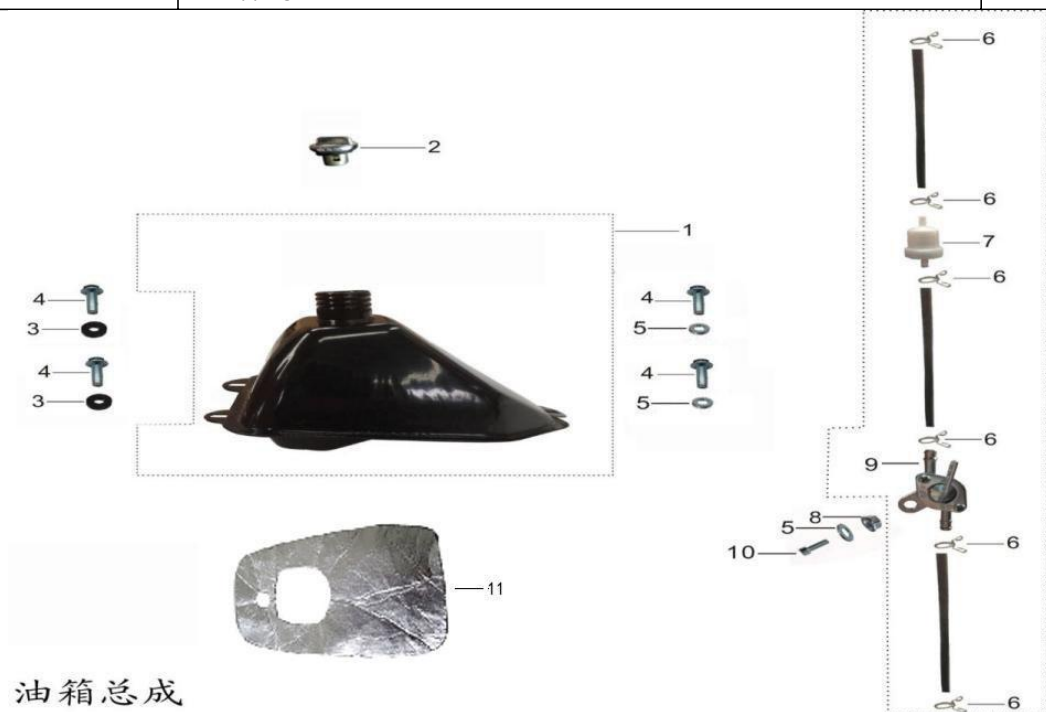
5	903007-0004-02	AU110	flange locknut M8	1
5	903007-0005	AU110	flange locknut M8(1.1.24~)	1



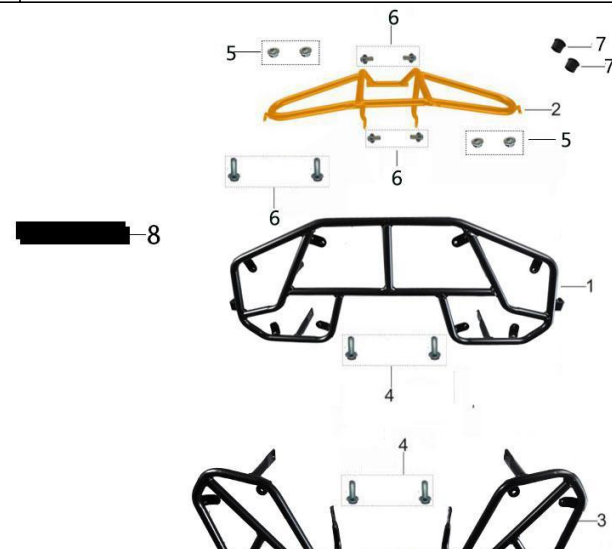
电器组件

No.	U8 Code	Model	EN name	Qty/vehicle
1	309001-0139	AU110	main cable	1
1	309001-0139-04	AU110	main cable(1.1.24~)	1
2	302001-0007-02	AU110	voltage regulator	1
3	314001-0003-03	AU110	electric lock	1
3	314001-0003-04	AU110	electric lock(1.1.24~)	1
4	312001-0040	AU110	battery 'MF12V5-1A 12V5AH 113*70*104	1
5	903018-0005-02	AU110	flange bolt M6*20	1
5	903018-0005-03	AU110	flange bolt M6*20(1.1.24~)	1
6	306001-0017	AU110	ignition coil	1
7	301001-0001	AU110	relay	1

8	308002-0012	AU110	rear light LED $\Phi 63*57*29$	2
8	308002-0012-02	AU110	rear light LED $\Phi 63*57*29(1.1.24\sim)$	2
9	903018-0003-02	AU110	flange bolt M6*12	2
9	903018-0003-03	AU110	flange bolt M6*12(1.1.24 \sim)	2
10	303001-0007-03	AU110	CDI	1
11	909010-0011	AU110	EVA 240*25*2mm	1
12	308001-0027-02	AU110	front light M4*8	2
12	308001-0027-03	AU110	front light M4*8(1.1.24 \sim)	2
13	317002-0002	AU110	gear indicator L=400	1
14	315012-0018	AU110	battery fixing plate 105*24*2	1
15	316001-0009-02	AU110	remote controller 59*43*22	1
16	903020-0029	AU110	self-tapping nail M4.8*6	2



No.	U8 Code	Model	EN name	Qty/vehicle
1	805002-0014	AU110	fuel tank 4.5L	1
2	805003-0010	AU110	fuel tank cap	1
3	103003-0001	AU110	oil cooler bush $\Phi 6.5*9*10+\Phi 20*2$	2
4	903019-0006	AU110	bolt M6*25	4
4	903019-0006-02	AU110	bolt M6*25(1.1.24~)	4
5	903002-0002-02	AU110	washer $\Phi 6*18*1.5$	3
5	903002-0002-03	AU110	washer $\Phi 6*18*1.5(1.1.24\sim)$	3
6	906002-0001	AU110	clip $\Phi 7.5$	6
7	108001-0002	AU110	fuel filter	1
8	903006-0002-02	AU110	nut M6	1
8	903006-0002-03	AU110	nut M6(1.1.24~)	1
9	805004-0007	AU110	tank switch	1
10	903013-0006-02	AU110	screw M6*16	1
10	903013-0006-03	AU110	screw M6*16 (1.1.24~)	1
11	909010-0021	AU110	Heat insulation film 170*273*2mm	1





前后货架组合

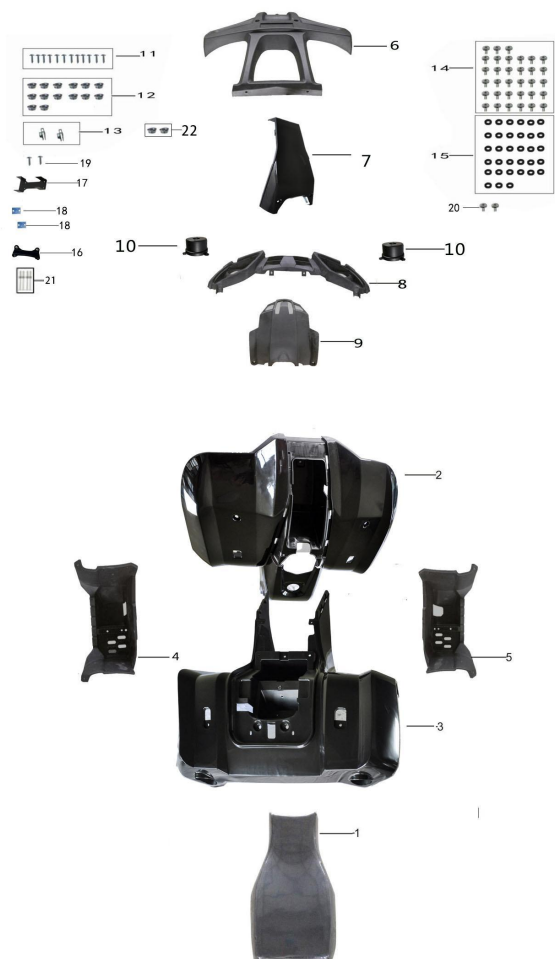
No.	U8 Code	Model	EN name	Qty/vehicle
1	702000-0013	AU110	front rack 514*251*105	1
2	704000-0014	AU110	front bumper 422*166*103	1
3	703000-0035	AU110	rear rack 608*269*146	1
4	903019-0012-02	AU110	screw M8*16	6
4	903019-0012-03	AU110	screw M8*16(1.1.24~)	6
5	903007-0004-02	AU110	nut M8	4
5	903007-0005	AU110	nut M8(1.1.24~)	4
6	903019-0013-02	AU110	bolt M8*20	6
6	903019-0013-03	AU110	bolt M8*20(1.1.24~)	6
7	908004-0003	AU110	Rubber plug $\Phi 12*\Phi 15*14$	2
8	909010-0011	AU110	EVA 240*25*2mm	2



前后塑料盖板

No.	U8 Code	Model	EN name	Qty/vehicle
1	803004-0014	AU110	front rack cover 703*314*22	1
2	803004-0015	AU110	rear rack cover 717*367*20	1

3	903018-0004-02	AU110	bolt M6*16	18
3	903018-0004-03	AU110	bolt M6*16(1.1.24~)	18

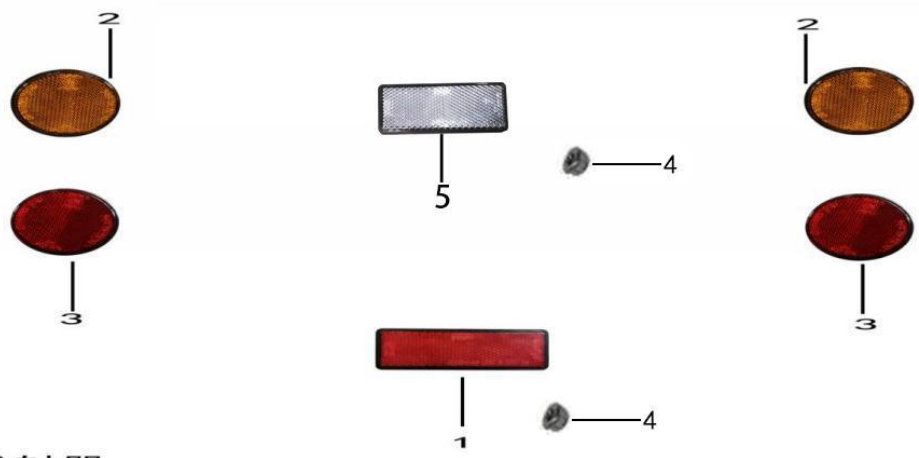


塑料件总成

No.	U8 Code	Model	EN name	Qty/vehicle
-----	---------	-------	---------	-------------

1	701000-0041	AU110	seat	1
2	803004-0010-02	AU110	front cover black	1
2-1	803004-0010-01	AU110	front cover white	1
3	803004-0011	AU110	rear plastics black	1
4	803004-0016	AU110	left plastic footpeg black	1
5	803004-0017	AU110	right plastic footpeg black	1
6	803004-0013	AU110	bumper cover	1
7	803004-0012-02	AU110	head cover black	1
7	803004-0012	AU110	head cover white	1
8	308006-0016-02	AU110	headlight assy Φ 75.5	1
9	308006-0018-02	AU110	Front display cover black	1
9	308006-0018	AU110	Front display cover white	1
10	308006-0017	AU110	headlight cover	2
11	903010-0004-02	AU110	screw ST4.2*12	12
11	903010-0004-03	AU110	screw ST4.2*12(1.1.24~)	12
12	903006-0002-02	AU110	nut M6	14
12	903006-0002-03	AU110	nut M6(1.1.24~)	14
13	903008-0019	AU110	nut M6 11*17.2*1.0	2
13	903008-0019-02	AU110	nut M6 11*17.2*1.0(1.1.24~)	2
14	903012-0007-02	AU110	screw TM6*16	33
14	903012-0007-03	AU110	screw TM6*16(1.1.24~)	3
15	908003-0002	AU110	flat washer Φ 5.5*15*2	33
16	568000-0103	AU110	front head cover bracket 80*22+2*M5	1
17	315001-0005	AU110	Electrical fixing frame 100*43.5*29	1
18	315003-0004	AU110	CDI support plate 27.5*21*1.5	2
19	903009-0005-02	AU110	screw M5*12	2
19	903009-0005-03	AU110	screw M5*12(1.1.24~)	2
20	903010-0006-02	AU110	screw ST4.8*12	2
20	903010-0006-03	AU110	screw ST4.8*12(1.1.24~)	2

21	905001-0003	AU110	rivet $\Phi 3.5 \times 12$	4
22	903007-0002-02	AU110	nut M6	2
22	903007-0002-03	AU110	nut M6(1.1.24~)	2



反射器

No.	U8 Code	Model	EN name	Qty/vehicle
1	308006-0010	AU110	rear central reflector 90*30*20	1
2	308006-0011	AU110	front left/right reflector $\Phi 58$	2
3	308006-0012	AU110	rear left/right reflector $\Phi 58$	2
4	903006-0001-02	AU110	nut M5	2
4	903006-0001-03	AU110	nut M5(1.1.24~)	2
5	308006-0024	AU110	reflector 88.5*34.5*22	1





catastrophic failure of transmission and may void any and all warranty.

U.S.C. 7522(a)(3)(A) and (B).
909006-0024 点火器警示标贴 EPA



U=04 写真
2个算一套, 32套
单个需要裁开



7



6

No.	U8 Code	Model	EN name	Qty/vehicle
1	804008-0037	AU110	sticker	1
2	802013-0047	AU110	safety sticker 70*40mm	1
3	909006-0024	AU110	safety sticker70*40mm	1
4	909006-0004	AU110	safety sticker	1
5	909006-0022	AU110	safety sticker	1
6	802013-0081	AU110	safety sticker 80*20mm	1
7	804019-0078	AU110	safety sticker 55*30mm	1